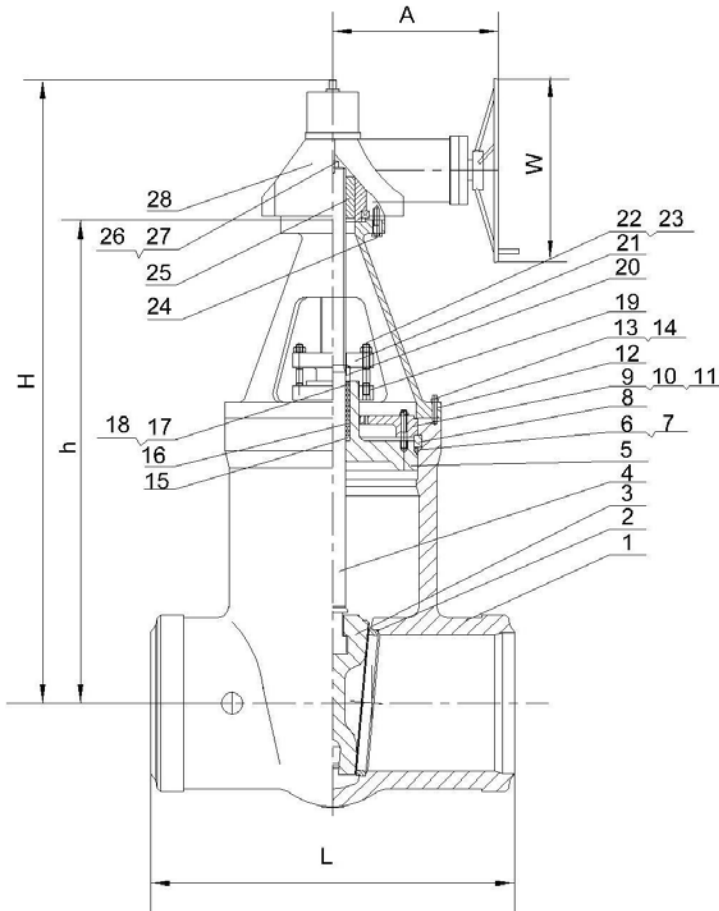


Pressure Seal Gate Valve Class 1500

Standards:
 Face to Face Dimensions: ANSI B16.10
 End Flange Dimensions: ANSI B16.5
 Basic Design: ANSI B16.34
 *Conforms to the applicable requirements of API 600
 Test Standard: API 598



MATERIAL LIST		
NO.	Part Name	ASTM Specification (Specs - Grades/Types)
1	Body	A 216-WCB
2	Seat Ring	A 105/CoCr-A HF
	Seat Ring Surface	CoCr-A HF
3	Gate	A 216-WCB
	Gate Seating Surface	CoCr-A HF
4	Stem	A182 Gr. F6
5	Stuffing Box	A 216-WCB
6	Sealing Ring	A 276 Type 316
7	Pressure Ring	A 276 Type 420
8	Segment Ring	A 182 Gr. F6
9	Support Plate	A 216-WCB
10	Box-Plate Bolt	A 193 Gr. B7
11	Box-Plate Nut	A 194 Gr. 2H
12	Yoke	A 216-WCB
13	Box-Plate Bolt	A 193 Gr. B7
14	Box-Plate Nut	A 194 Gr. 2H
15	Packing Plate	A 276 Gr. 410
16	Lantern	A 276 Gr. 410
17	Wiper Ring	Braided Graphite
18	Packing	Flexible Graphite
19	Gland Flange Seat	A 216-WCB
20	Gland Follower	A 276 Gr. 410
21	Gland Flange	Carbon Steel
22	Gland Eyebolt	A 193 Gr. B7
23	Gland Eyebolt Nuts	A 194 Gr. 2H
24	Yoke-Gear Stud	Carbon Steel A 193 Gr. B7
25	Stem Nut	A 439 Gr. D2
26	Stem Indicator	A 276 Gr. 410
27	Stem Indicator Nut	Carbon Steel
28	Gear Protector	Carbon Steel

DIMENSIONS AND WEIGHTS											
Size	NPS	2	2-1/2	3	4	6	8	10	12	14	16
L (BW)	In	8.50	10.00	12.00	16.00	22.00	28.00	34.00	39.00	42.00	47.00
	Mm	216	254	304	406	559	711	864	991	1067	1194
A	In	HW	HW	HW	HW	HW	HW	HW	HW	23.23	23.23
	Mm	HW	HW	HW	HW	HW	HW	HW	HW	590	590
B Port	In	1.85	2.25	2.76	3.15	5.35	6.85	8.75	10.37	11.37	13.00
	Mm	47	57	70	80	136	174	222	263	288	330
H	In	19.09	21.81	26.50	30.25	44.25	53.50	61.03	70.87	81.12	91.34
	Mm	485	554	672	768	1123	1360	1550	1800	2060	2320
W	In	11.81	13.75	15.75	22.06	18.13	18.13	23.62	23.62	23.62	23.62
	Mm	300	350	400	560	460	460	600	600	600	600
WT	KG	50	74	90	158	350	690	1030	1460	1810	2760
	LB	110.2	163.1	198.5	348.3	771.6	1521.2	2270.7	3218.7	3990.3	6084.7