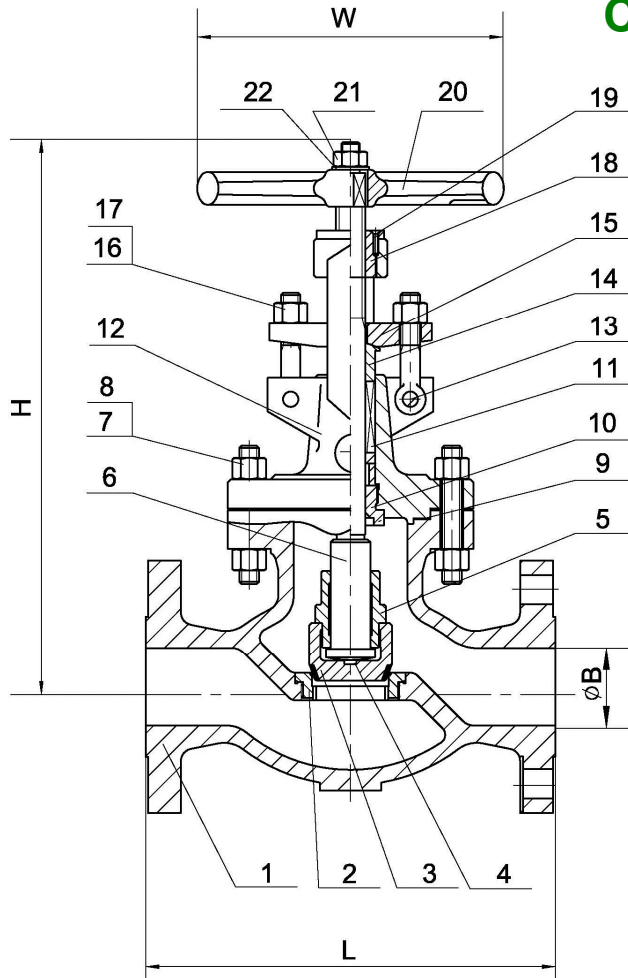


Globe Valve Class 150



Standards:

Face to Face Dimensions: ANSI B16.10
 End Flange Dimensions: ANSI B16.5
 26" ≥ MSS SP-44
 Or API 605
 Basic Design: B16.34 & BS1873
 Test Standard: API 598

MATERIAL LIST						
NO.	Part Name	ASTM Specification (Specs - Grades/Types)				
		A 216	A 352	A 217	A 351	
		WCB	LCC	WC6	C5	CF8M
1	Body	A 216-WCB	A 352-LCC	A217-WC6	A 217-C5	A 351-CF8M
2	Seat Ring	A 105, LF2, 316, or 304				
	Seat Ring Surface	13CR, HF (CoCr-A), 316, 304, or Monel				
3	Disc	A 216 - WCB	A 352-LCC	A217-WC6	A 217-C5	A 351-CF8M
	Disc Seating Surface	13CR, HF (CoCr-A), 316, 304, or Monel				
4	Disc Thrust Plate	13CR, 316, OR 304				
5	Disc Nut	13CR, 316, OR 304				
6	Stem	13CR, 316, 304, 17-4PH, or Monel				
7	Bonnet Bolt Nut	A 194-2H	A 194-4	A 194-2H	A 194-4	A 194-8
8	Bonnet Bolt	A 193-B7	A 320-L7	A 193-B7	A 193-B16	A 193-B8
9	Gasket	Spiral Wound 316/Graphite				
10	Bonnet Bushing	13CR, 316, OR 304				
11	Gland Packing	Braided Graphite & Die Formed Graphite Ring				
12	Bonnet	A 216-WCB	A 352-LCC	A217-WC6	A 217-C5	A 351-CF8M
13	Eye Bolt Pins	13CR, 316, or 304				
14	Gland	13CR, 316, or 304				
15	Gland Flange	A 216-WCB	A 352-LCC	A217-WC6	A 217-C5	A 351-CF8M
16	Gland Eye Bolts	A 193-B7	A 320-L7	A 193-B7	A 193-B16	A 193-B8
17	Eye Bolt Nuts	A 194-2H	A 194-4	A 194-2H	A 194-4	A 194-8
18	Yoke Sleeve	ASTM A 439 Gr. D2C				
19	Screw	Carbon Steel				A 276-316
20	Handwheel	Malleable Iron				
21	Handwheel Nut	Carbon Steel				A 276-316
22	Backing Ring	Carbon Steel				A 276-316

DIMENSIONS AND WEIGHTS														
Size	NPS	2	2-1/2	3	4	5	6	8	10	12	14	16	18	20
L	In	8.00	8.50	9.50	11.50	14.00	16.00	19.50	24.50	27.50	31.00	36.00	38.50	38.50
	Mm	203	216	241	292	356	406	495	622	698	787	914	978	978
L (RF)	In	8.50	9.00	10.00	12.00	14.50	16.50	20.00	25.00	28.00	31.50	36.50	38.90	38.98
	Mm	216	229	254	305	368	419	508	635	711	800	927	990	990
L (RTJ)	In	8.00	8.50	9.50	11.50	14.00	16.00	19.50	24.50	27.50	31.00	36.00	38.50	38.50
	Mm	203	216	241	292	356	406	495	622	699	787	914	978	978
ØB	In	2	2.50	3	4	5	6	8	10	12	13.25	15.25	17.25	19.25
	Mm	51	64	76	102	127	152	203	254	305	337	387	438	489
H	In	16.12	17.00	17.68	19.68	21.19	21.62	24.43	30.00	33.88	56.00	64.00	71.18	79.64
	Mm	410	432	450	500	538	550	620	762	860	1442	1625	1820	2023
W	In	8	10	10	12	12	14	16	18	22	22	25	GO	GO
	Mm	200	250	250	300	300	350	400	450	560	560	640	GO	GO
WT	KG	22	30	42	60	77	101	161	308	410	610	880	1150	1650
	LB	48.50	66.14	92.59	132.3	169.8	222.7	354.9	679.0	903.9	1345	1940	2535	3638