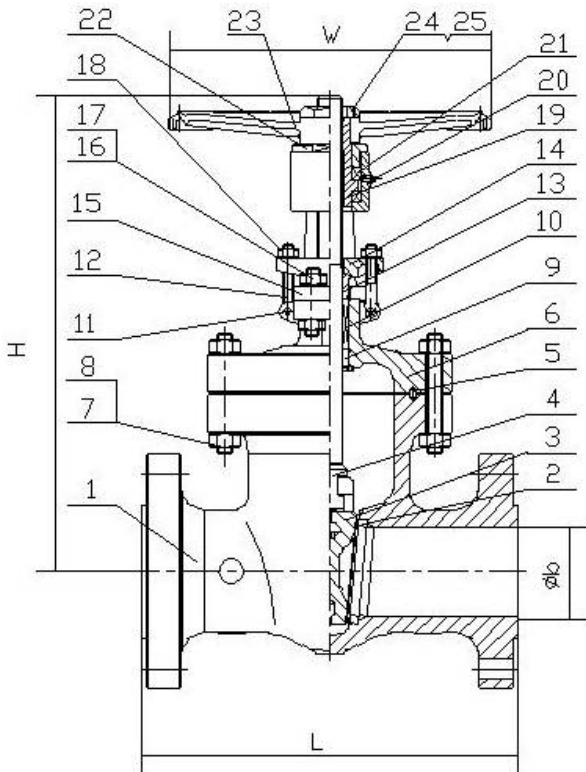


Gate Valve Class 900

Standards:

Face to Face Dimensions: ANSI B16.10
 End Flange Dimensions: ANSI B16.5
 26" ≥ MSS SP-44
 Or API 605
 Basic Design: API 600
 Test Standard: API 598



MATERIAL LIST					
NO.	Part Name	ASTM Specification (Specs – Grades/Types)			
		A 216	A 352	A 217	A 351
1	Body	A 216-WCB	LCC	WC6	CF8M
2	Seat Ring	A 105, LF2, 316, or 304			
	Seat Ring Surface	13CR, HF (CoCr-A), 316, 304, or Monel			
3	Gate	A 216-WCB	A 352-LCC	A 217-WC6	A 351-CF8M
	Gate Seating Surface	13CR, HF (CoCr-A), 316, 304, or Monel			
4	Stem	13CR, 316, 304, 17-4PH, or Monel			
5	Gasket	Graphite Jacketed Stainless Steel			
6	Bonnet	A 216-WCB	A 352-LCC	A 217-WC6	A 351-CF8M
7	Bonnet Bolt Nut	A 194-2H	A 194-4	A 194-2H	A 194-8
8	Bonnet Bolt	A 193-B7	A 320-L7	A 193-B7	A 193-B8
9	Bonnet Bushing	13CR, 316, or 304			
10	Packing	Braided Graphite & Die Formed Graphite Ring			
11	Eye Bolt Pins	Carbon Steel			
12	Gland Eye Bolts	A 193-B7	A 320-L7	A 193-B7	A 193-B8
13	Gland	13CR, 316, or 304			
14	Gland Flange	A 216-WCB	A 352-LCC	A 217-WC6	A 351-CF8M
15	Yoke	A 216-WCB	A 352-LCC	A 217-WC6	A 351-CF8M
16	Yoke Pad Bolt	A 193-B7	A 320-L7	A 193-B7	A 193-B8
17	Yoke Pad Bolt Nuts	A 194-2H	A 194-4	A 194-2H	A 194-8
18	Eye Bolt Nut	A 194-2H	A 194-4	A 194-2H	A 194-8
19	Yoke Sleeve	ASTM A439 Gr. D2C			
20	Grease Nipple	Carbon Steel			
21	Bearing	Carbon Steel			
22	Retaining Nut	Carbon Steel			316
23	Handwheel	Malleable Iron			
24	Screw	Carbon Steel			
25	Handwheel Nut	Carbon Steel			316

DIMENSIONS AND WEIGHTS										
Size	NPS	2	2-1/2	3	4	6	8	10	12	14
L	In	14.50	16.50	15.00	18.00	24.00	29.00	33.00	38.00	40.50
	Mm	368	419	381	457	610	737	838	965	1029
L (RF)	In	14.60	16.60	15.10	18.10	24.10	29.10	33.10	38.10	40.90
	Mm	371	422	384	460	613	740	841	968	1038
L (RTJ)	In	14.50	16.50	15.00	18.00	24.00	29.00	33.00	38.00	40.50
	Mm	368	419	381	457	610	737	838	965	1029
Øb	In	1.90	2.20	2.90	3.90	5.70	7.50	9.40	11.10	12.20
	Mm	47	57	73	98	146	190	238	282	311
H	In	14.50	27.80	27.40	32.50	42.00	52.00	60.60	72.50	79.70
	Mm	614	705	656	688	936	1127	1437	1507	2025
W	In	10	11.75	11.75	13.75	19.69	23.62	28.37	30	GO
	Mm	250	300	300	350	500	600	720	760	GO
WT	KG	95	108	125	192	378	635	900	1550	2170
	LB	209.4	238.1	275.6	423.3	833.3	1399.9	1984.1	3417.1	4784.0