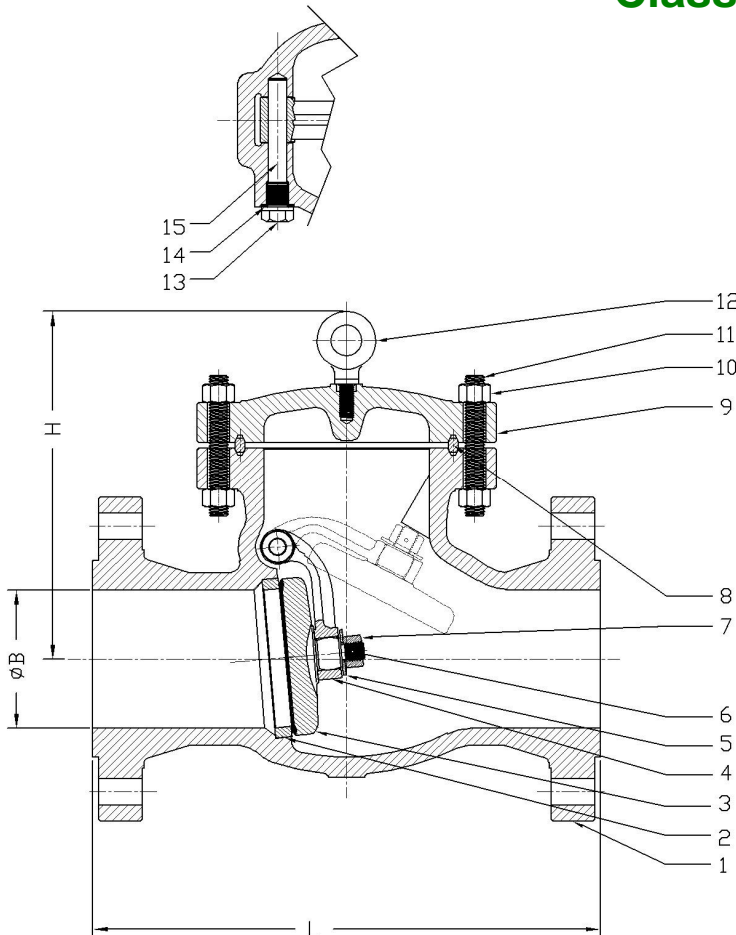


## Check Valve Class 900



**Standards:**

Face to Face Dimensions: ANSI B16.10  
 End Flange Dimensions: ANSI B16.5  
 Basic Design: API 594  
 ANSI B16.34  
 \* Conforms to the applicable requirements  
 of API 600  
 Test Standard: API 598

**MATERIAL LIST**

NO.	Part Name	ASTM Specification (Specs - Grades/Types)				
		A 216	A 352	A 217	A 351	
		WCB	LCC	WC6	WC5	CF8M
1	Body	A216-WCB	A352-LCC	A217-WC6	A217-C5	A351-CF8M
2	Seat Ring	A105	A350-LF2	A182-F11	A182-F11	
	Seat Ring Surface	13CR, HF (CoCr-A), 316, 304, or Monel				
3	Disc	A105	A350-LF2	A182-F11	A182-F11	A182-316
	Disc Seating Surface	13CR, HF (CoCr-A), 316, 304, or Monel				
4	Swing Arm	A 216-WCB	A 352-LCC	A217-WC6	A 217-WC5	A 351-CF8M
5	Washer	ASTM A276 Gr. 316				
6	Pin	ASTM A276 Gr. 316				
7	Disc Nut	A194 Gr. 8				
8	Gasket	F5				
9	Bonnet	A216-WCB	A352-LCC	A217-WC6	A217-C5	A351-CF8M
10	Body Nut	A 193-B7	A 320-L7	A 193-B7	A 193-B16	A 193-B8
11	Body Stud	A 193-B7	A 320-L7	A 193-B7	A 193-B16	A 193-B8
12	Eyebolt	A181				
13	Hinge Pin Bolt	A 193-B7	A 320-L7	A 193-B7	A 193-B16	A 193-B8
14	Gasket	08F				
15	Hinge Pin	A276-410	A276-410	A276-410	A276-410	A276-316

**DIMENSIONS AND WEIGHTS**

Size	NPS	2	2-1/2	3	4	6	8	10	12	14	16
L (RF)	In	14.50	16.50	15.00	18.00	24.00	29.00	33.00	38.00	40.50	44.50
	Mm	368	419	381	457	610	737	838	965	1029	1130
L (RTJ)	In	14.63	16.63	15.13	18.13	24.13	29.13	33.13	38.13	40.88	44.88
	Mm	371	422	384	460	613	740	841	968	1038	1140
L (BW)	In	14.50	16.50	15.00	18.00	24.00	29.00	33.00	38.00	40.50	44.50
	Mm	368	419	381	457	610	737	838	965	1029	1130
ØB	In	1.85	1.92	2.87	3.87	5.75	7.50	9.38	11.12	13.25	15.25
	Mm	47	57	73	98	146	190	238	282	336	388
H	In	9.88	10.60	9.13	12.30	14.30	17.00	18.90	22.00	24.80	27.60
	Mm	250	270	230	310	360	430	480	560	629	700
WT	KG	69	93	85	145	310	500	772	1080	1500	2130
	LB	152.12	205.03	187.39	319.67	683.43	1102.30	1701.95	2380.97	3306.90	4695.80