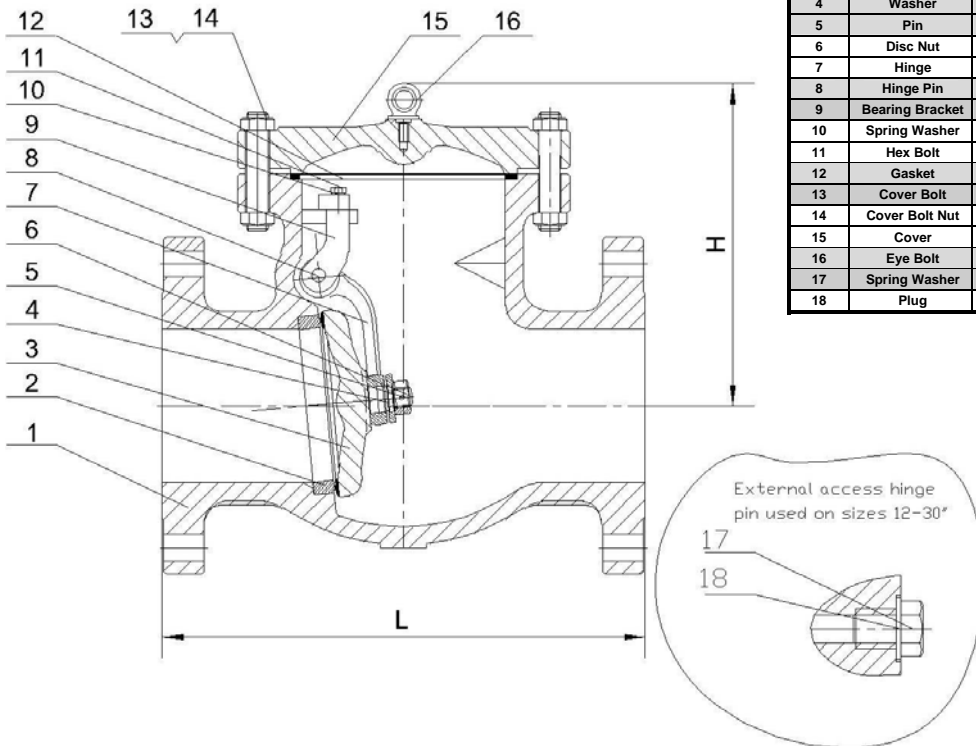


Check Valve Class 150

Standards:

Face to Face Dimensions: ANSI B16.10
 End Flange Dimensions: ANSI B16.5
 26" ≥ MSS SP-44
 Basic Design: ANSI B16.34
 * Conforms to the applicable requirements of API 600

MATERIAL LIST						
NO.	Part Name	ASTM Specification (Specs - Grades/Types)				
		A 216	A 352	A 217		
		WCB	LCC	WC6	C5	CF8M
1	Body	A 216-WCB	A 352-LCC	A217-WC6	A 217-C5	A 351-CF8M
2	Seat Ring	A 105, 316, or 304				
	Seat Ring Surface	13CR, HF (CoCr-A), 316, 304, or Monel				
3	Disc	A 216 - WCB	A 352-LCC	A217-WC6	A 217-C5	A 351-CF8M
	Disc Seating Surface	13CR, HF (CoCr-A), 316, 304, or Monel				
4	Washer	13CR, 316, OR 304				
5	Pin	13CR, 316, OR 304				
6	Disc Nut	13CR, 316, OR 304				
7	Hinge	A 216 - WCB	A 352-LCC	A217-WC6	A 217-C5	A 351-CF8M
8	Hinge Pin	Stainless Steel				
9	Bearing Bracket	A 216 - WCB	A 352-LCC	A217-WC6	A 217-C5	A 351-CF8M
10	Spring Washer	Stainless Steel				
11	Hex Bolt	Stainless Steel				
12	Gasket	Spiral Wound 316/Graphite				
13	Cover Bolt	A 193-B7	A 320-L7	A 193-B7	A 193-B16	A 193-B8
14	Cover Bolt Nut	A 194-2H	A 194-4	A 194-2H	A 194-4	A 194-8
15	Cover	A 216 - WCB	A 320-L7	A 193-B7	A 193-B16	A 193-B8
16	Eye Bolt	A181				
17	Spring Washer	Brass				
18	Plug	Carbon Steel				



DIMENSIONS AND WEIGHTS															
Size	NPS	2	2-1/2	3	4	5	6	8	10	12	14	16	18	20	24
L	In	8.00	8.50	9.50	11.50	13.00	14.00	19.50	24.50	27.50	31.00	34.00	38.50	38.50	51.00
	Mm	203	216	241	292	330	356	495	622	698	787	864	978	978	1295
L (RF)	In	8.50	9.00	10.00	12.00	13.50	14.50	20.00	25.00	28.00	31.50	34.50	38.90	38.98	51.50
	Mm	216	229	254	305	343	368	508	635	711	800	876	990	990	1308
L (RTJ)	In	8.00	8.50	9.50	11.50	13.00	14.00	19.50	24.50	27.50	31.00	34.00	38.50	38.50	51.00
	Mm	203	216	241	292	330	356	495	622	698	787	864	978	978	1295
L (BW)	In	2	2.50	3	4	5	6	8	10	12	13.25	15.25	17.25	19.25	23.25
	Mm	51	64	76	102	127	152	203	254	305	337	387	438	489	591
H	In	6.50	7.00	7.30	8.50	9.06	10.50	12.50	14.50	16.00	17.00	19.00	23.60	26.00	29.10
	Mm	165	178	186	217	230	266	318	368	406	432	483	600	660	740
WT	KG	19	26	29	48	69	77	133	266	347	451	556	784	835	1580
	LB	41.9	57.3	63.9	105.8	152.1	169.8	293.2	586.4	765.0	994.3	1225.8	1728.4	1840.8	3483.3