

Swing Check Valve Forged Steel

STANDARDS DESIGN:

MSS SP-118
ASME B16.34

TESTING:

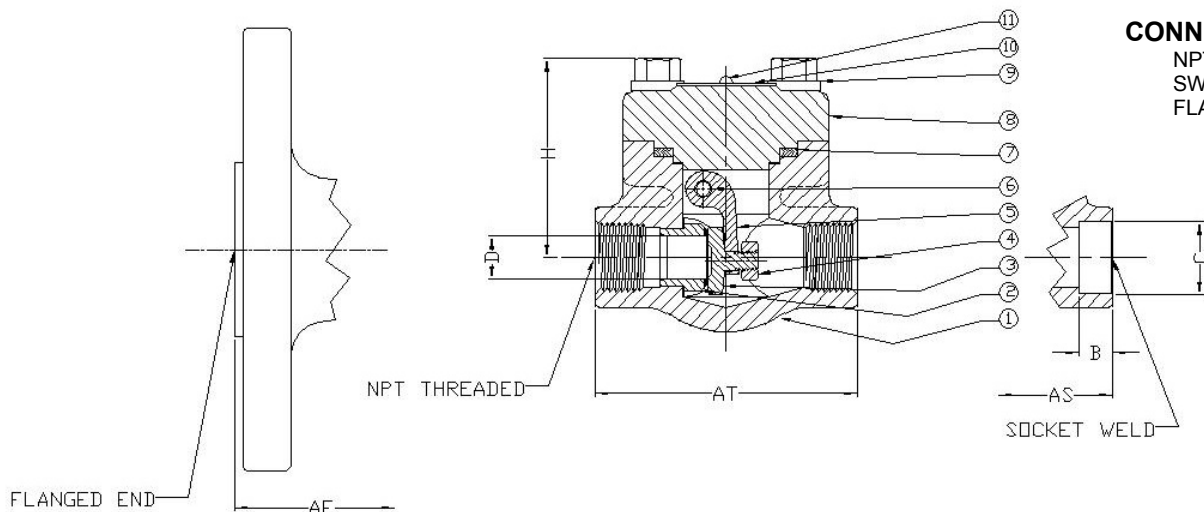
API 598

PRESSURE CLASS:

NPT & SW – 800
FLANGED – 150,300,600

CONNECTIONS:

NPT – ASME B1.20.1
SW - ASME B16.11
FLANGED – ASME B16.5
ASME B16.10



MATERIAL LIST								
NO.	Part Name	A105	LF2	F5	F9	F11	F22	F316/F316L
1	Body	A105N	A350-LF2	A182-F5	A182-F9	A182-F11	A182-F22	A182-F316/F316L
2	Seat Ring	A276-410/CoCr-A						316/CoCr-A
3	Disc	A276-410						A276-316
4	Disc Nut	A194-2H						A194-316
5	Swing Arm	A276-316						
6	Hinge Pin	A276-316						
7	Gasket	Spiral Wound 316/Graphite						
8	Bonnet	A105N	A350-LF2	A182-F5	A182-F9	A182-F11	A182-F22	A182-F316/F316L
9	Body Bolt	A193-B7	A193-B8M	A193-B16			A193-B8M	
10	Nameplate	Aluminum						
11	Rivet	A276-410						

SIZE		AT	AS	AF-150	AF-300	AF-600	B	C	D (Min)	H	WGT.
1/2	Inch	3.11	3.11	4.25	5.98	6.50	0.37	0.85	0.39	5.83	
	mm	79.00	79.00	108.00	152.00	165.00	9.50	21.70	10.00	148.00	
3/4	Inch	3.62	3.62	4.61	7.01	7.48	0.49	1.07	0.51	5.98	
	mm	92.00	92.00	117.00	178.00	190.00	12.50	27.20	13.00	152.00	
1	Inch	4.37	4.37	5.00	7.99	8.50	0.49	1.33	0.71	7.05	
	mm	111.00	111.00	127.00	203.00	216.00	12.50	33.90	18.00	179.00	
1-1/4	Inch	4.72	4.72	5.51	8.50	9.02	0.49	1.68	0.87	9.13	
	mm	120.00	120.00	140.00	216.00	229.00	12.50	42.70	22.00	232.00	
1-1/2	Inch	5.98	5.98	6.50	9.02	9.49	0.49	1.92	1.18	9.13	
	mm	152.00	152.00	165.00	229.00	241.00	12.50	48.80	30.00	232.00	
2	Inch	6.77	6.77	7.99	10.51	11.50	0.63	2.41	1.42	10.24	
	mm	172.00	172.00	203.00	267.00	292.00	16.00	61.20	36.00	260.00	