

Piston Check Valve Forged Steel

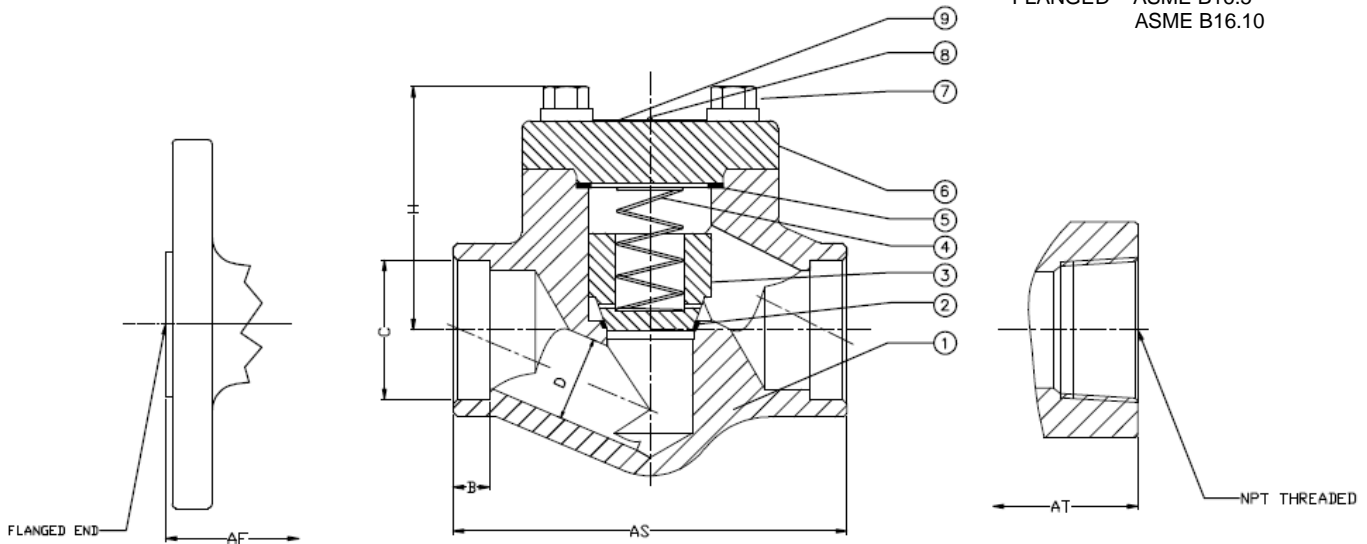
STANDARDS DESIGN:

API 602
MSS SP-118
ASME B16.34

TESTING:
API 598

PRESSURE CLASS:
NPT & SW – 800
FLANGED – 150,300,600

CONNECTIONS:
NPT – ASME B1.20.1
SW - ASME B16.11
FLANGED – ASME B16.5
ASME B16.10



MATERIAL LIST									
NO.	Part Name	A105	LF2	F5	F9	F11	F22	F316/F316L	
1	Body	A105N	A350-LF2	A182-F5	A182-F9	A182-F11	A182-F22	A182-F316/F316L	
2	Seat Ring	CoCr-A							316/CoCr-A
3	Disc	A276-410/CoCr-A							
4	Spring	A276-316							
5	Gasket	Spiral Wound 316/Graphite							
6	Bonnet	A105N	A350-LF2	A182-F5	A182-F9	A182-F11	A182-F22	A182-F316/F316L	
7	Body Bolt	A193-B7	A193-B8M	A193-B16		A193-B8M			
8	Rivet	A276-410							
9	Nameplate	Aluminum							

DIMENSIONS AND WEIGHTS

SIZE		AT	AS	AF-150	AF-300	AF-600	B	C	D (Min)	H	WGT.			
											150	300	600	800
1/2	Inch	3.11	3.11	4.25	5.98	6.50	0.37	0.87	0.39	2.40	7.94	8.16	8.82	3.31
	mm	79.00	79.00	108.00	152.00	165.00	9.50	22.0	10.00	61.00	3.60	3.70	4.00	1.50
3/4	Inch	3.62	3.62	4.61	7.01	7.48	0.49	1.07	0.51	2.40	10.14	10.58	12.79	3.75
	mm	92.00	92.00	117.00	178.00	190.00	12.50	27.4	13.00	61.00	4.60	4.80	5.80	1.70
1	Inch	4.37	4.37	5.00	7.99	8.50	0.49	1.34	0.71	3.09	18.75	19.40	20.94	7.28
	mm	111.00	111.00	127.00	203.00	216.00	12.50	34.1	18.00	78.00	8.50	8.80	9.50	3.30
1-1/4	Inch	4.72	4.72	5.51	8.50	9.02	0.49	1.68	0.87	3.31	20.29	21.16	22.93	9.26
	mm	120.00	120.00	140.00	216.00	229.00	12.50	42.9	22.00	84.00	9.20	9.60	10.40	4.20
1-1/2	Inch	5.98	5.98	6.50	9.02	9.49	0.49	1.92	1.18	3.31	27.56	30.20	34.39	9.26
	mm	152.00	152.00	165.00	229.00	241.00	12.50	49.0	30.00	84.00	12.50	13.70	15.60	4.20
2	Inch	6.77	6.77	7.99	10.51	11.50	0.63	2.41	1.42	4.72	32.63	39.24	54.00	23.15
	mm	172.00	172.00	203.00	267.00	292.00	16.00	61.5	36.00	120.00	14.80	17.80	24.50	10.50

(713) 673-2073 – Fax (713) 673-4641 - Toll Free (866) GO-BERIC (462-3742)

www.bericvalves.com