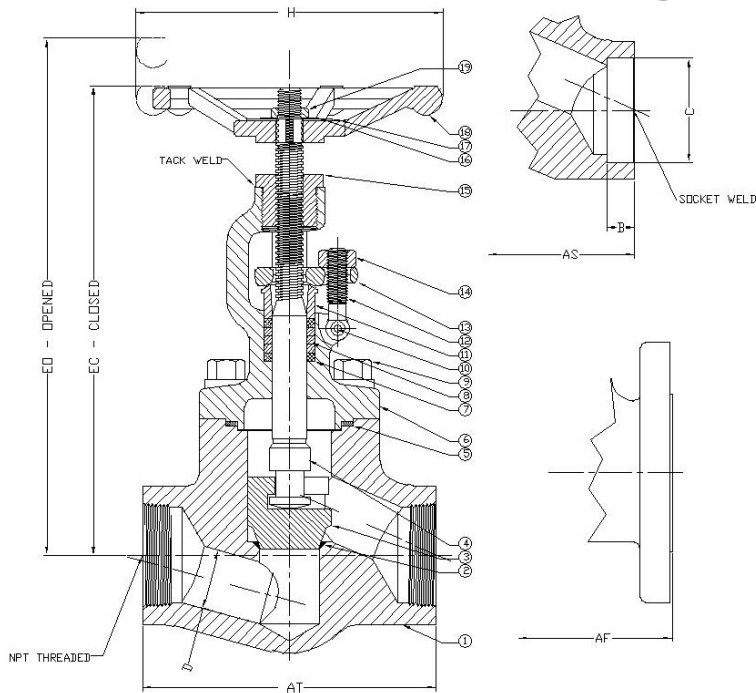


Globe Valve Forged Steel



STANDARDS

DESIGN:

MSS SP-118
ASME B16.34

TESTING:

API 598

PRESSURE CLASS:

NPT & SW – 800
FLANGED – 150,300,600

CONNECTIONS:

NPT – ASME B1.20.1
SW - ASME B16.11
FLANGED – ASME B16.5
ASME B16.10

MATERIAL LIST								
NO.	Part Name	A105	LF2	F5	F9	F11	F22	F316/F316L
1	Body	A105N	A350-LF2	A182-F5	A182-F9	A182-F11	A182-F22	A182-F316/F316L
2	Seat Ring	A276-410/CoCr-A						A276-316/CoCr-A
3	Disc	A276-410						A276-316
4	Stem	A276-410						A276-316
5	Gasket	Spiral Wound 304/Graphite						316/Graphite
6	Bonnet	A105N	A350-LF2	A182-F5	A182-F9	A182-F11	A182-F22	A182-F316/F316L
7	Wiper Ring	Braided Graphite						
8	Packing	Die Formed Graphite						
9	Body Bolt	A193-B7	A193-B8M	A193-B16				A193-B8M
10	Eyebolt Pin	A276-410						A276-316
11	Gland	A276-410						A276-316
12	Eyebolt	A193-B7	A193-B8M	A193-B16				A193-B8M
13	Gland Plate	A105						A182-F316
14	Gland Nut	A194-2H	A194-8M					
15	Op Nut	A276-410						A276-316
16	Washer	A276-410						
17	Nameplate	Aluminum						
18	Handwheel	KTH330-08						
19	Handwheel Nut	LY12 Steel						

DIMENSIONS AND WEIGHTS													
SIZE		AT	AS	AF-150	AF-300	AF-600	B	C	D (Min)	EO	EC	H	WGT.
1/2	Inch	3.11	3.11	4.25	5.51	6.50	0.37	0.85	0.39	6.18	5.83	3.94	
	mm	79.00	79.00	108.00	140.00	165.00	9.50	21.70	10.00	157.00	148.00	100.00	
3/4	Inch	3.62	3.62	4.61	5.98	7.48	0.49	1.07	0.51	6.38	5.98	3.94	
	mm	92.00	92.00	117.00	152.00	190.00	12.50	27.20	13.00	162.00	152.00	100.00	
1	Inch	4.37	4.37	5.00	6.50	8.50	0.49	1.33	0.71	7.56	7.05	4.92	
	mm	111.00	111.00	127.00	165.00	216.00	12.50	33.90	18.00	192.00	179.00	125.00	
1-1/4	Inch	4.72	4.72	5.51	7.01	9.02	0.49	1.68	0.87	9.92	9.13	6.30	
	mm	120.00	120.00	140.00	178.00	229.00	12.50	42.70	22.00	252.00	232.00	160.00	
1-1/2	Inch	5.98	5.98	6.50	7.48	9.49	0.49	1.92	1.18	9.92	9.13	6.30	
	mm	152.00	152.00	165.00	190.00	241.00	12.50	48.80	30.00	252.00	232.00	160.00	
2	Inch	6.77	6.77	7.99	8.50	11.50	0.63	2.41	1.42	11.38	10.24	7.09	
	mm	172.00	172.00	203.00	216.00	292.00	16.00	61.20	36.00	289.00	260.00	180.00	