

PRESSURE CLASS:
FLANGED – 300

CONNECTIONS:
FLANGED – ASME B16.5
ASME B16.10

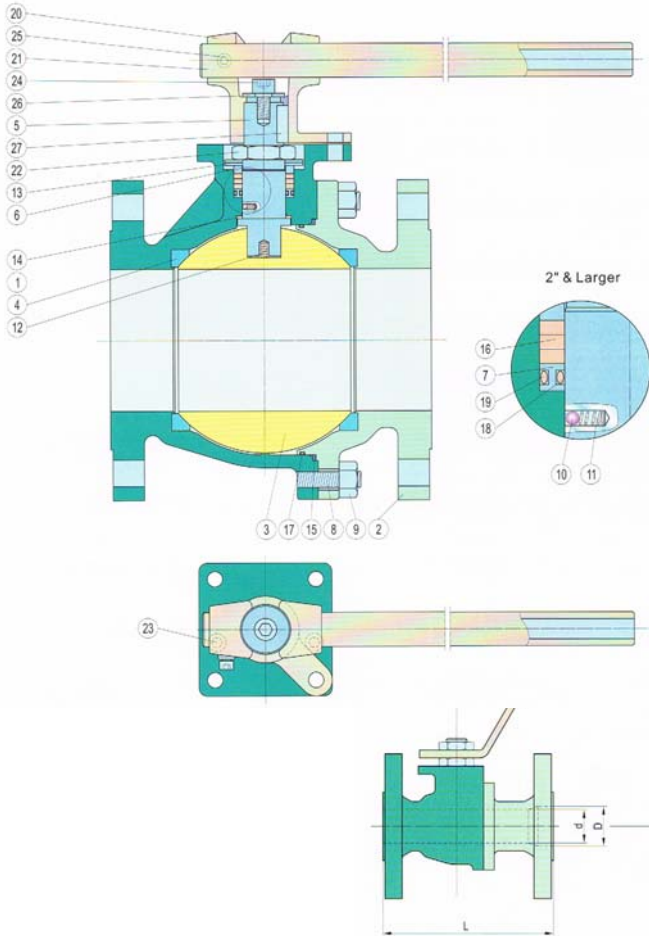
4S3 Series Ball Valve Standard Port

STANDARDS

DESIGN:
API 6D
API 607/API 6FA
ASME B16.34

TESTING:

API 598



MATERIAL SPECIFICATIONS				
NO.	Part Name	Carbon Steel/316	Stainless Steel/316	LCC/316
1	Body	A216 Gr. WCB	A 351 Gr. CF8M	A351 Gr. LCC
2	Retainer	A216 Gr. WCB	A 351 Gr. CF8M	
3	Ball	A182 Gr. F316	A182 Gr. F316	A182 Gr. F316
4	Seat	P.T.F.E.	P.T.F.E.	P.T.F.E.
5	Stem	A182 Gr. F316	A182 Gr. F316	A182 Gr. F316
6	Gland	A276 Gr. 316	A276 Gr. 316	A276 Gr. 316
7	O-Ring Box	A276 Gr. 316	A276 Gr. 316	A276 Gr. 316
8	Body Stud	A193 Gr. B7	A193 Gr. B7	A193 Gr. B7
9	Body Nut	A194 Gr. 2H	A194 Gr. 2H	A194 Gr. 2H
10	Steel Ball	Stainless Steel	Stainless Steel	Stainless Steel
11	Spring	INCONEL X-750	INCONEL X-750	INCONEL X-750
12	Spring	INCONEL X-750	INCONEL X-750	INCONEL X-750
13	Spring Washer	Alloy Steel	Alloy Steel	Alloy Steel
14	Stem Bearing	P.T.F.E.	P.T.F.E.	P.T.F.E.
15	Gasket	Graphite	Graphite	Graphite
16	Packing	Graphite	Graphite	Graphite
17	O-Ring	Viton	Viton	Viton
18	O-Ring	Viton	Viton	Viton
19	O-Ring	Viton	Viton	Viton
20	Lever Adaptor	Carbon Steel	Stainless Steel	Carbon Steel
21	Lever	Carbon Steel	Stainless Steel	Carbon Steel
22	Nut	Carbon Steel	Stainless Steel	Carbon Steel
23	Position Screw	Carbon Steel	Stainless Steel	Carbon Steel
24	Screw	Carbon Steel	Stainless Steel	Carbon Steel
25	Screw	Carbon Steel	Stainless Steel	Carbon Steel
26	Washer	Carbon Steel	Stainless Steel	Carbon Steel
27	Key	Carbon Steel	Stainless Steel	Carbon Steel

DIMENSIONS							
SIZE		d	D	L	H	W	Weight Lbs/Kg
1-1/2	Inch	1.00	1.50		4.41	7.09	17.63
	mm	25	38	191	112	180	8
2	Inch	1.50	2.00		5.20	9.50	26.46
	mm	38	51	216	132	240	12
2-1/2	Inch	2.00	2.50		5.43	15.75	41.89
	mm	51	64	241	138	400	19
3	Inch	2.00	3.00		5.43	15.75	57.32
	mm	51	76	283	138	400	26
4	Inch	3.00	4.00		6.89	17.75	83.77
	mm	76	102	305	175	450	38
6	Inch	4.00	6.00		7.87	19.70	165.35
	mm	102	152	403	200	500	75
8	Inch	6.00	8.00		9.06	11.81	286.60
	mm	152	203	419	230	300	130
10	Inch	8.00	10.00		11.42	15.75	440.92
	mm	203	254	457	290	400	200