

PRESSURE CLASS:
FLANGED – 300

CONNECTIONS:
FLANGED – ASME B16.5
ASME B16.10

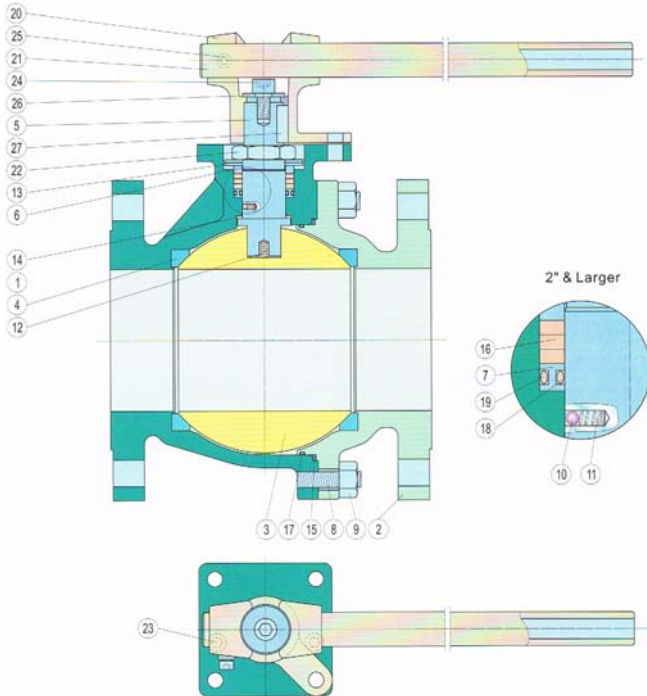
4F3 Series Ball Valve Full Port

STANDARDS

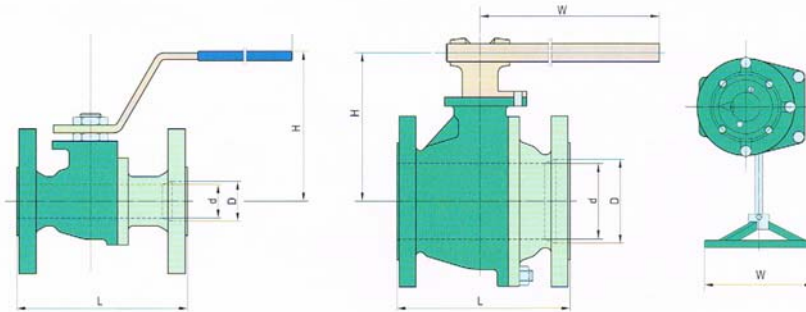
DESIGN:
API 6D
API 607/API 6FA
ASME B16.34

TESTING:

API 598



MATERIAL SPECIFICATIONS				
NO.	Part Name	Carbon Steel/316	Stainless Steel/316	LCC/316
1	Body	A216 Gr. WCB	A 351 Gr. CF8M	A351 Gr. LCC
2	Retainer	A216 Gr. WCB	A 351 Gr. CF8M	
3	Ball	A182 Gr. F316	A182 Gr. F316	A182 Gr. F316
4	Seat	P.T.F.E.	P.T.F.E.	P.T.F.E.
5	Stem	A182 Gr. F316	A182 Gr. F316	A182 Gr. F316
6	Gland	A276 Gr. 316	A276 Gr. 316	A276 Gr. 316
7	O-Ring Box	A276 Gr. 316	A276 Gr. 316	A276 Gr. 316
8	Body Stud	A193 Gr. B7	A193 Gr. B7	A193 Gr. B7
9	Body Nut	A194 Gr. 2H	A194 Gr. 2H	A194 Gr. 2H
10	Steel Ball	Stainless Steel	Stainless Steel	Stainless Steel
11	Spring	INCONEL X-750	INCONEL X-750	INCONEL X-750
12	Spring	INCONEL X-750	INCONEL X-750	INCONEL X-750
13	Spring Washer	Alloy Steel	Alloy Steel	Alloy Steel
14	Stem Bearing	P.T.F.E.	P.T.F.E.	P.T.F.E.
15	Gasket	Graphite	Graphite	Graphite
16	Packing	Graphite	Graphite	Graphite
17	O-Ring	Viton	Viton	Viton
18	O-Ring	Viton	Viton	Viton
19	O-Ring	Viton	Viton	Viton
20	Lever Adaptor	Carbon Steel	Stainless Steel	Carbon Steel
21	Lever	Carbon Steel	Stainless Steel	Carbon Steel
22	Nut	Carbon Steel	Stainless Steel	Carbon Steel
23	Position Screw	Carbon Steel	Stainless Steel	Carbon Steel
24	Screw	Carbon Steel	Stainless Steel	Carbon Steel
25	Screw	Carbon Steel	Stainless Steel	Carbon Steel
26	Washer	Carbon Steel	Stainless Steel	Carbon Steel
27	Key	Carbon Steel	Stainless Steel	Carbon Steel



DIMENSIONS						
SIZE		d	L	H	W	Weight Lbs/Kg
1-1/2	Inch	1.50	7.50	5.20	9.50	19.8
	mm	38	191	132	240	9
2	Inch	2.00	8.50	5.43	15.75	28.7
	mm	51	216	138	400	13
2-1/2	Inch	2.50	9.50	6.10	15.75	46.3
	mm	64	241	155	400	21
3	Inch	3.00	11.12	6.89	17.72	59.5
	mm	76	282	175	450	27
4	Inch	4.00	12.00	7.87	17.72	88.2
	mm	102	305	200	500	40
6	Inch	6.00	15.88	9.06	19.68	209.4
	mm	152	403	230	300	95
8	Inch	8.00	19.75	11.42	15.75	330.7
	mm	203	502	290	400	150
10	Inch	10.00	22.38	12.60	15.75	507.0
	mm	254	568	320	400	230